



INSTRUCTIONS FOR LIGHT MOUNT BRACKET: LOWER GRILL LIGHT MOUNT

PAGE 1 OF 1

**PLEASE MAKE SURE YOU READ & FOLLOW THESE INSTRUCTIONS FOR INSTALLATION
DRAWING NOT TO SCALE**

1.) Assemble light bar and/ or pod lights brackets that came with your light(s) on the lights themselves.

NOTE: Lights must be assembled, ready to mount to bracket, and placed into vehicle before mounting bracket due to restricted working space in mounting area.

2.) Place light(s) with their mounting brackets installed down inside vehicle in front of radiator and behind the lower grill.

3. Set bracket down inside so it sits on the lower steel bumper lip as shown in the diagrams. At this point you will need to find the center of the bumper and center it with the center of the bracket and mark it so you have reference later.

4.) Adjust clamps, bolts, and nuts so they just fit over the bracket and lower bumper lip as shown in the side view diagram. Leave the Jam/Lock Nuts loose for later adjustments.

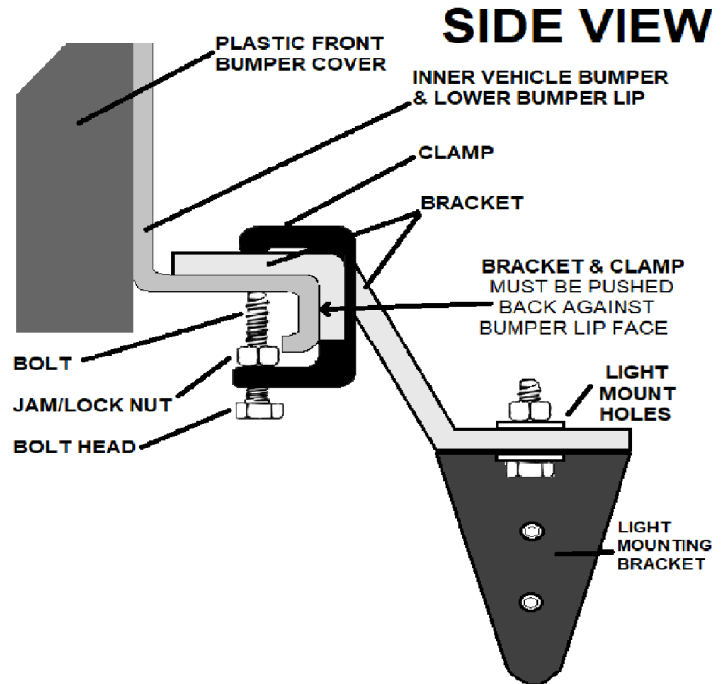
5. Fit clamps with adjusted bolts & nuts around the lower bumper lip and inside the notched out area of the bracket. Clamp must be installed as shown in order to work properly. Mounting clamp upside down will cause failure.

6.) Keeping the bracket on center and tight against the bumper lip face tighten the clamping bolt making sure the jam/lock nut remains loose. Make sure to get the bolt as tight as possible without stripping the threads.

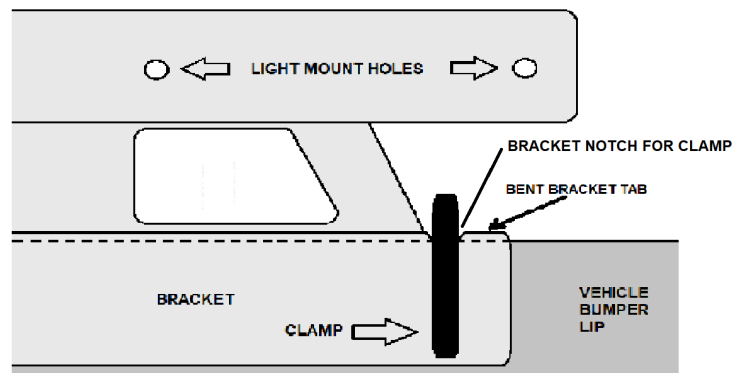
7.) Make sure the bracket tabs and clamps are still against the bumper lip face before final tightening. Once you are satisfied with the bracket location and clamp tightness tightened Jam/Locknut against the clamp.

8.) At this point we recommend adding some permanent thread lock to the clamp threads if available.

9.) Mount your light(s) to the bracket and hook up wiring.



TOP VIEW



ALL BRACKETS COME WITH ALL HARDWARE NEEDED TO MOUNT PER THESE INSTRUCTIONS.

TOOLS NEEDED:
- WRENCHES

MOUNTING HARDWARE INSTALLATION:

- MOUNTING HARDWARE IS PRE-ASSEMBLED IN INSTALLATION ORDER BEFORE SHIPPING
- INSTALL ALL MOUNTING HARDWARE AND BRACKET IN NUMBERED ORDER SHOWN

MOHAWK OFF-ROAD FABRICATION TAKES NO RESPONSIBILITY IN ANY INJURY DONE TO YOUR PERSON OR DAMAGE DONE TO YOUR VEHICLE DURING OR AFTER INSTALLING OUR PRODUCTS. BY INSTALLING THIS PRODUCT YOU ARE MODIFYING YOUR VEHICLE. MOD AT YOUR OWN RISK.

MAKE SURE TO SEND US PHOTOS OF YOUR VEHICLE AFTER COMPLETE INSTALL WITH LIGHTS TO POST ON OUR WEBSITE. WE WILL BLUR OUT YOUR LICENSE PLATE AND POST ONLY YOUR FIRST NAME, CITY, & STATE. THANK YOU FOR YOUR BUSINESS!!!